

Canter 815 Tipper

4X2 / LSD / MANUAL OR DUONIC DCT



GVM

7,500_{KG}

GCM

11,000_{KG}

Power/Torque

110_{KW} / 370_{NM}

Light rigid licence required.

Can be derated and driven with a passenger car licence.



C
A
N
T
E
R
駈
歩



OUR SAFEST CANTER EVER WITH AEBS, LDWS AND ESP STANDARD
ONLY JAPANESE FACTORY TIPPER WITH A LIMITED SLIP DIFFERENTIAL.

Specifications

MODEL

- A** 4x2 815 Wide Cab Tipper SWB 6 Sp. Duonic DCT (FEC81CR3SFBC)
B 4x2 815 Wide Cab Tipper SWB 5 Sp. MAN (FEC81CR4SFBC)

WHEEL BASE

- 2800mm
2800mm

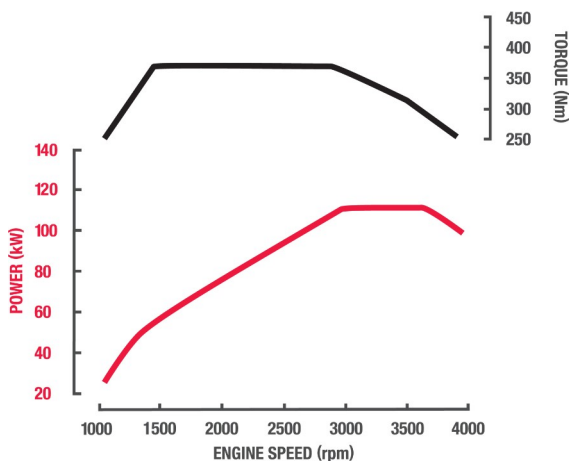
GVM (optional)

- 7,500kg (4,495kg)
7,500kg (4,495kg)

GCM (optional)

- 11,000kg (8,000kg)
11,000kg (8,000kg)

Engine	
Engine Version	FUSO 4P10-T4 Diesel
Configuration	4 Cyl. In-line DOHC, 4-Valve
Type	Variable Geometry Turbo Charged Air to Air Intercooled
Displacement	3 litre (2998cc)
Bore	95.8mm
Stroke	104mm
Power (DIN)	110kW @ 2840~3500 rpm
Torque (DIN)	370Nm @ 1350~2840 rpm
Maximum Engine Speed	4100 rpm
Compression Ratio	17.5:1
Cooling System / Oil Cooler	Water cooled, 13.7L capacity/ Plate type engine oil cooler
Air Cleaner	Paper Element Type with Restrictor Indicator. Vertical Intake Mounted on Clean Air Side (RH)
Emission Control	Diesel Particulate Filter (DPF) Exhaust Dash Display DPF Status 0~9 (Empty~Full) Parked Regeneration possible from 7~9
Emission Level	ADR 80/03 & EEV rated (Enhanced Environmentally-Friendly Vehicle) Euro 5



Fuel	
Injection System	Bosch Common Rail Direct Injection Bosch Piezo Technology Injectors
Tank Type	Rectangular Steel Tank with Locking Cap
Fuel Capacity *	100 Litres
Filtration	Filter with Water Separator and Indicator Sensor
Notes	*Max Fill to approx 95% of Air Capacity

Cooling	
Fan Drive	Thermo modulated continuous control (Viscous)
Radiator	Corrugated Fin with Expansion Tank

Electrical	
Voltage	12V Negative Earth
Alternator Capacity	12V-110 amp
Starter Capacity	12V-2.0kW
Battery Capacity	2x12V, 70Ah/5hr
Battery Specification	115D31LX2
Headlamp Type	Halogen
Headlamp Capacity	2x55W/60W

Clutch		
Clutch Model	A Fully Automated Dual Clutch (no clutch pedal)	B FUSO C4W30
Type	A Dual Clutch (Wet Multi-plate)	B Single Dry Plate, Direct Hydraulic Type

Transmission		
Version	A FUSO Duonic M038S6	B FUSO M038S5
Type/Speeds	A 6 Speed Dual Clutch with Auto and Manual Modes	B 5 Speed with In-Dash Gearshift Lever
Features	A Virtually Instant Gear Changes In-Dash Gear Lever with Park Brake Position ECO Mode to Minimise Fuel Usage	B Synchromesh 2nd-5th
Ratios	A 1st: 5.397 2nd: 3.788 3rd: 2.310 4th: 1.474 5th: 1.000 6th: 0.701 Rev. 5.397	B 1st: 5.494 2nd: 3.193 3rd: 1.689 4th: 1.000 5th: 0.723 Rev. 4.494
PTO Opening	A LH Side Direct Connection Pump.	B LH Side Direct Connection Pump

Front Axle	
Axle Version	FUSO F350T
Type	Reverse Elliot "I" Beam
Capacity *	3100kg
Notes	*See MAX LOADING for vehicle capacity.

Front Suspension	
Type	Multi-Leaf with Double Acting Shock Absorbers
Size	1150x70mm Leaves

Rear Axle	
Type	Full Floating Banjo Type with Positive Locking Limited Slip Differential (LSD).
Axle Version	FUSO R035T
Capacity*	6000kg
Ratio	A 5.714:1 B 5.285:1
Notes	*See MAX LOADING for vehicle capacity.

Rear Suspension	
Type	Steel Suspension
Details	Semi-Elliptic Leaf with Double Acting Shock Absorbers
Size Main Leaves	1250x70mm
Size Helper Leaves	880x70mm

Max Loading	
Front	3100kg
Rear	6000kg
Total	7500kg

Options	
Options	H31: 4495/7995kg GVM/GCM Rating

Specifications

MODEL

A	4x2 815 Wide Cab Tipper SWB 6 Sp. Duonic DCT (FEC81CR3SFBC)
B	4x2 815 Wide Cab Tipper SWB 5 Sp. MAN (FEC81CR4SFBC)

WHEEL BASE

2800mm
2800mm

GVM (optional)

7,500kg (4,495kg)
7,500kg (4,495kg)

GCM (optional)

11,000kg (8,000kg)
11,000kg (8,000kg)

Steering

Type	Integral Ball and Nut Type
Steering Column	Tilt/Telescopic Adjustable
Power Assist	Standard

Brakes

Type	Hydraulic Dual Circuit with Front and Rear Discs Twin Calliper Front and Rear
Size Front	252x40mm
Size Rear	252x40mm
Features	ABS plus EBD (Electronic Brake Distribution) Active Emergency Braking System (AEBS) Electronic Stability Program (ESP) Exhaust Brake Brake Priority System
Park Brake	Transmission Mounted

Wheels & Tyres

Wheel Type	7 x Single Piece Disc Rims (Including Spare)
Wheel Size	17.5x6.0-127
Wheel Stud Pattern	6 Stud 222.25 PCD
Tyre Size Front	215/75R17.5 124/123
Tyre Size Rear	215/75R17.5 124/123
	LUG Tyres Fitted (for Extra Traction)
Spare Tyre Carrier	Provided

Chassis

Type	Tapered Frame with Body Sub-frame
Size	212x65x6mm
Tensile Strength	540 MPa

Instruments

Gauges	Speedometer with Odometer Tachometer Fuel Level Water Temperature
Colour Information Display	Fuel Consumption DPF Bar Chart from 1~9 Water Temperature Lane Departure Warning Maintenance Reminder System Tripmeters

Multi-Media Package

Satellite Navigation	Maps with heavy vehicle weight, length, height & hazardous material selectable restrictions with 3 years of Map updates
Colour Display	7 inch LCD with touch screen control
Phone Connectivity	Bluetooth® hands free
Audio Visual Entertainment	Bluetooth® music streaming compatible Digital radio DAB+ (also AM/FM for areas not covered by DAB+) USB & 3.5mm/AUX port
Reversing Camera Compatible	Display can accept up to 5 cameras#
Notes	* Apple® CarPlay compatibility requires an additional licensed cable # Cameras available through spare parts

Standard Features

Airbag(s)	Dual Air Bags and Seat Belt Pre-Tensioners (Driver & Far Side Passenger)	
Active Safety Features	ABS plus Electronic Brake force Distribution (EBD) Advanced Emergency Braking (AEBS) Anti-Slip Regulator (ASR) Electronic Stability Program (ESP) Lane Departure Warning System (LDWS)	
Lane Departure Warning System (LDWS)	Yes	
Cruise Control	A Yes	B No
Hill Start System	Yes	
Cab Cooling & Heating	Air Conditioner / Heater / Demister	
Accessory Power	12V Accessory Power Outlet / Cigar Lighter	
Driving	Fuso Multimedia Unit Keyless Central Locking Electric Windows Cup Holders (2)	
Storage	Dual Overhead Storage Pockets In-Dash Centre Document Storage Door Storage Pockets Dash Storage Tray (1 DIN) Coat Hooks	
Cab: External	Front End-Outline Marker Lamps Door Side Impact Beams	
Chassis	Reverse Warning Buzzer Factory Reverse Camera with Infrared Display and Audible Pickup (Supply only in Cabin with Cab Chassis)	

Cab Features

Type	All Steel Forward Control Manual Tilt	
Cab Structure	ECE-R29 European Cab Strength Approved	
Mounting	Hydroelastic 4 Point	
Additional Engine Access	N/A	
Colour	Natural White	
Windscreen Wipers	2 Speed + Intermittent Cycle with Integrated Washer Nozzles	
Rear Vision Mirrors	1 x Internal 2 x External Convex (ECE 46) - Heated	
Seating Capacity	3	
Seat Belts	Lap Sash Belts for Outside Seating Positions Lap Belt for Centre Seat	
Seat (driver)	Suspended with Weight Adjustment, LH Arm Rest and Lumbar Support	
Seats (passenger)	Flat Folding, 2 Passenger Bench	

Service Intervals

Interval*	30,000km or 12 Months (whichever occurs first)
Notes	* based on normal operating conditions and may be reduced when operating under severe conditions.

Warranty

Basic/Powertrain	5 Years or 200,000kms (whichever occurs first)
------------------	--

Performance

Turning Circle (kerb to kerb - metres)	10.4	
Road Speed (km/h) at Max	A	B
Engine Speed	127	130
Engine Speed (rpm) at 100km/hr (top gear)	A	B
	2817	2687
Gradeability at Rated GVM (theoretical)*	A	B
	31%	29%
Notes	*This is theoretical performance only. Actual performance may vary under different conditions	

Specifications

MODEL

- A** 4x2 815 Wide Cab Tipper SWB 6 Sp. Duonic DCT (FEC81CR3SFBC)
B 4x2 815 Wide Cab Tipper SWB 5 Sp. MAN (FEC81CR4SFBC)

WHEEL BASE

- 2800mm
 2800mm

GVM (optional)

- 7,500kg (4,495kg)
 7,500kg (4,495kg)

GCM (optional)

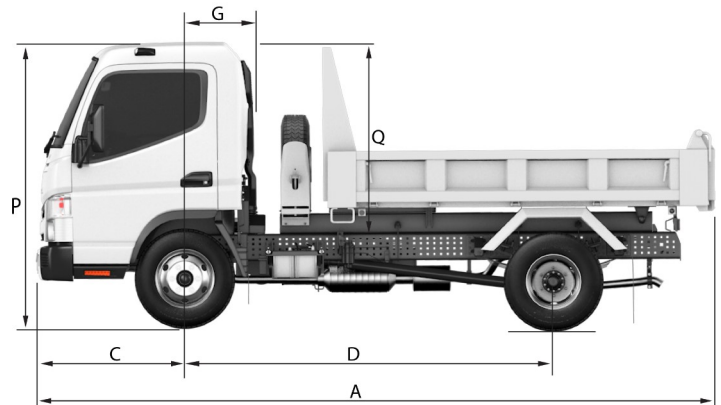
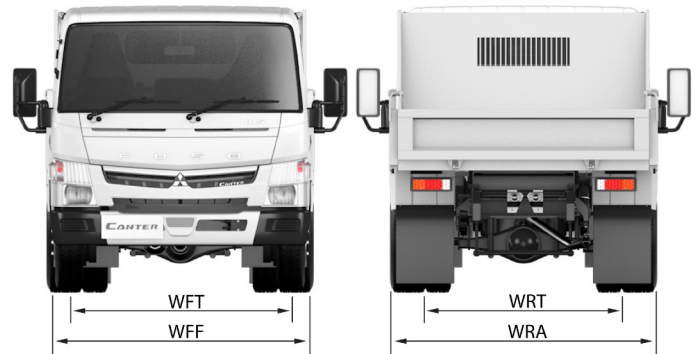
- 11,000kg (8,000kg)
 11,000kg (8,000kg)

Mass (estimated)*

Front*	A 1670kg	B 1660kg
Rear*	1520kg	
Total*	A 3190kg	B 3180kg
Notes	* Mass (est.) includes oil and water but excludes spare wheel, tools & fuel. Weights provided are subject to 3.5% variation (+/-)	

Dimensions (mm)

WFF (Width Front Fender) (mm)	1995
WRA (Width Rear Axle) (mm)	2034
Width Frame (mm)	850
A - Length Overall (mm)	5365
C - Front Overhang (mm)	1140
D - Wheelbase (mm)	2800
G - Front Axle to Rear of Cab (mm)	525
P - Height Cab to Ground (mm)	2180
Q - Height Cab to Frame (mm)	1515
Tipper Body Width Outside	2190
Tipper Body Width Inside	2060
Tipper Body Length Inside	3150
Tipper Capacity (cubic metres)	2.4



Call 1800 033 557

or visit fuso.com.au

Unless specified in writing herein the accessories, applications, bodies or equipment depicted in this document are for illustration purposes only and may not be available from Daimler Truck and Bus Australia Pacific Pty Ltd. (ABN 86 618 413 282) (DTB). No representation or warranty whatsoever is given in relation to any accessories, applications, bodies or equipment or suitability of same that are shown herein that may be manufactured, supplied or fitted by a party other than DTB. DTB reserves the right without notice or obligation to discontinue or make changes to the colour, designs, materials and specifications of the products and options referred to herein at any time. For the most current information and in order to ascertain which accessories, applications, bodies and equipment are available from DTB please contact your authorised FUSO Truck and Bus dealer. Fuso is a registered trademark of Daimler Truck and Bus Australia Pacific Pty Ltd. Copyright DTB. Reproduction in whole or part prohibited without written approval. Part Number TSC134-SSV4. Valid from 01-Oct-19.